



## **iCircle** MULTI-OUTLET DRIPPER

- A Revolutionary Circular Multi-Outlet Drinker for Containers
- Watering Solution that Reduces Hand Watering and Labor Costs
- Dispenses Water Uniformly and Directly to the Plant's Roots
- Quick Connection for Easy Installation
- Large Filtration Area Ensures Efficiency in Challenging Water Conditions
- Molded Polypropylene Body for Strength and Long Life



**irritec**<sup>®</sup>  
*don't wait for rain*<sup>®</sup>

## CHARACTERISTICS AND ADVANTAGES:

- Ideal for container and potted crops in greenhouse and nursery irrigation applications.
- Circular shape dispenses water uniformly through the container substrate and to the plant's roots.
- Practical and functional to reduce hand watering and save labor costs.
- Single molded polypropylene body provides strength and components do not detach during handling.
- Grey color provides light diffusion and resistance to UV rays.
- Quick connection to the micro-tubing and placement in the container means installation is easy.
- The micro-tubing connection elbow rotates allowing a variety of installation positions.
- Irritec's PE and PVC micro-tubing is compatible with other manufacturer's drippers.
- Two sizes: 10" diameter has 8 outlets and 5" diameter has 4 outlets.
- Flow rate per outlet is dependent on the connection to the supply line via the dripper or barbed coupling.
- A turbulent labyrinth dripper inside the mini dripping ring prevents sediment buildup preventing clogging.
- The integrated filter ensures great filtration efficiency even with challenging water conditions.
- Water flow can be shut-off with a convenient built-in eyelet.



**Patent Pending**

*iCircle dispenses water uniformly through the container resulting in a healthy root system*

## Applications:



## FEATURES:



### SIZING OPTIONS

iCircle is available in a 10" diameter with 8 outlets or a 5" diameter with 4 outlets to fit a variety of container sizes and flow requirements.

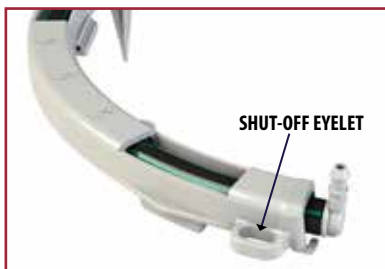


### SUPPLY LINE CONNECTION VERSATILITY

Depending on the container size and flow requirements of the plant, the micro-tubing can be connected from the iCircle to the supply line with an iDrop® Dripper, iDrop® Dripper with 1-Way Manifold, Barbed Coupling or other manufacturer's drippers.



*Supply Line Connection from iDrop® Dripper to iCircle*



SHUT-OFF EYELET

### SHUT-OFF CAPABILITY

Water flow can be shut-off when the micro-tubing is folded in half and inserted through the eyelet located on the side of the ring near the inlet elbow.



### HIGH PERFORMANCE MINI DRIPPING RING

A built-in mini dripline with turbulent labyrinth and large filtration surface area prevents sediment buildup and clogging.



360° ELBOW ROTATION

### OPTIMAL MICRO-TUBING ORIENTATION

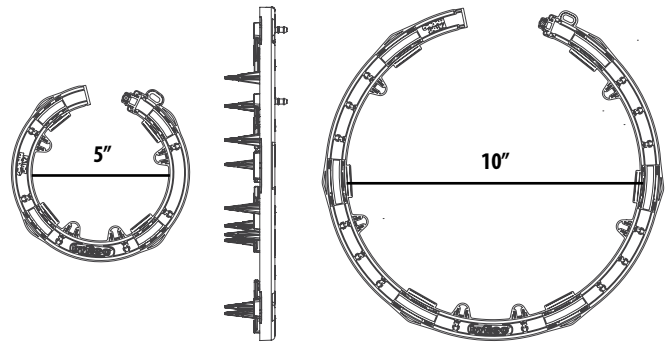
Micro-tubing connection elbow rotates 360° so it can be positioned at the appropriate angle to eliminate connection issues and ensure uninterrupted water flow.

Using a 1-Way manifold on the connection elbow allows additional installation options and easy micro-tubing disassembly.

## TECHNICAL INFORMATION:

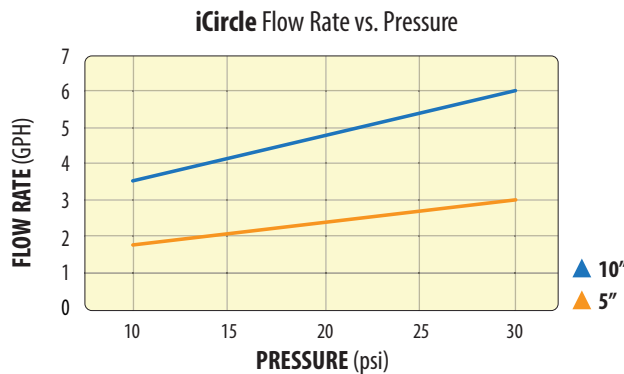
Flow Rates	
Connection Type	Flow Rate 5" or 10"
iDrop® Light PC Dripper	.25 GPH
iDrop® PC Dripper	.50 GPH
iDrop® PC Dripper	.75 GPH
iDrop® PC Dripper	1.0 GPH
iDrop® PC Dripper	2.0 GPH

Micro-Tubing Specifications	
Material	Size
Polyethylene	.125" x .187"
PVC	.125" x .197"



Specifications	
Maximum Temperature	Maximum Pressure @ 68° F
140° F	58 psi

Materials	
Part	Material
Body Ring	Polypropylene
Elbow	Acetal Resin
Dripline	Polyethylene
Micro-Tubing	Polyethylene or PVC



Flow Rate vs. Pressure With Barbed Coupling Connection					
Nominal Flow Rate (GPH)	Pressure (psi)				
	10	15	20	25	30
5"	1.76	2.08	2.48	2.76	3.00
10"	3.52	4.16	4.96	5.52	6.00

## ORDERING INFORMATION:

### iCircle Multi-Outlet Drippers

Part Number	Size	Outlets	Box Qty	Box Wt
A6-MOD4	5"	4	180	18 lbs.
A6-MOD8	10"	8	70	12 lbs.



### 1/4" x 1/8" Barbed Coupling

Fits .160"/.170" I.D. to .125" I.D. Tubing



Part Number	Series	Bag Qty	Box Qty	Box Wt
A1-B170C125	1/4" x 1/8"	500	5,000	8 lbs.

### 1-Way Flat Manifold



Part Number	Series	Bag Qty	Box Qty	Box Wt
A6-MAN1E	3mm	500	14,000	22 lbs.

### iDrop® Pressure Compensating Drippers

Barbed Outlet with CNL Feature - Closes at 4 psi

Part Number	Flow Rate/Color	Bag Qty	Box Qty	Box Wt
A6-WPC2BB	.50 GPH / Blue	500	3,000	21 lbs.
A6-WPC3BB	.75 GPH / Brown	500	3,000	21 lbs.
A6-WPC4BB	1.0 GPH / Green	500	3,000	21 lbs.
A6-WPC8BB	2.0 GPH / Red	500	3,000	21 lbs.



### PE Micro-Tubing White (Cut Pieces)

Part Number	Length	Bundle Qty	Box Qty
D5-PEF125X187CL24W	24"	250	2,000
D5-PEF125X187CL30W	30"	250	2,000
D5-PEF125X187CL36W	36"	250	2,000



### PE & PVC Micro-Tubing (Rolls/Reels)

High quality flexible tubing



Part Number	Type	I.D.	O.D.	Wall Thickness	Length	Color
D5-PEF125187-1312W	PE	.125"	.187"	.031"	1,312'	White
D5-125x187ROLL100	PE	.125"	.187"	.031"	100'	Black
D5-125x187ROLL1000	PE	.125"	.187"	.031"	1,000'	Black
D6-125x197ROLL100	PVC	.125"	.197"	.036"	100'	Black
D6-125x197ROLL1000	PVC	.125"	.197"	.036"	1,000'	Black

### iDrop® Light Pressure Compensating Dripper

Barbed Outlet with CNL Feature - Closes at 2 psi

Part Number	Flow Rate/Color	Bag Qty	Box Qty	Box Wt
A6-WPCJ1BB	.25 GPH / Pink	500	3,500	10 lbs.



## INSTALLATION GUIDELINES:

- 1 Determine which type of connection will be used from the supply line to the iCircle Multi-Outlet Drinker: a Barbed Coupling, iDrop® Drinker or iDrop® Drinker with Manifold (see option illustrations on Page 2). This will be based on flow requirements for the specific crop.
- 2 Cut a section of micro-tubing (.125" x .187" or .125" x .197" Polyethylene or PVC, white or black) to the desired length so it reaches easily from the supply line connection to the iCircle connection/inlet elbow. Flexible micro-tubing is recommended for smooth installation.
  - For short distances: when the iDrop® Drinker or Barbed Coupling is close to the container and the supply line is located on the same surface as the container, the micro-tubing connects directly to the iDrop® Drinker.
  - For longer distances: when the iDrop® Drinker is not close to the container and/or the supply line is located on top of the container, the micro-tubing connects to the iDrop® Drinker with a Manifold. This ensures a correct angle which prevents connections issues eliminating water flow interruption.
- 3 Connect the micro-tubing to the iDrop® Drinker, Manifold or Barbed Coupling. Press firmly for a tight fit to prevent leakage.
- 4 Place the iCircle on the substrate surface inside the container surrounding the base of the plant.
- 5 Connect the open end of the micro-tubing to the iCircle connection/inlet elbow.
- 6 Press the iCircle into the substrate until the bottom is in contact with the soil.
- 7 Adjust the iCircle connection/inlet elbow by rotating left or right until the correct angle is achieved (see illustration on Page 2). This will prevent twisting, kinking or pinching of the micro-tubing during operation.

