

4BLOCK

4" monoblock submersible pump



► Ready to install, stainless steel monoblock submersible pump.

Complete with:

- motor with built-in capacitor and thermal overload protector
- 20 m long power cable.



PERFORMANCE RANGE

- Flow rate up to **150 l/min** (9 m³/h)
- Head up to **128 m**

APPLICATION LIMITS

- Maximum liquid temperature **+35 °C**
- Maximum sand content **150 g/m³**
- Maximum immersion depth of **60 m**
- Vertical and horizontal installation
- Starts/hour: 20 at regular intervals
- Continuous service **S1**

CONSTRUCTION AND SAFETY STANDARDS

EN 60335-1
IEC 60335-1
CEI 61-150

EN 60034-1
IEC 60034-1
CEI 2-3



CERTIFICATIONS



AM30



INSTALLATION AND USE

Suitable for pumping clean water from boreholes that contain sand (up to 150 g/m³).

As a result of their high efficiency and reliability they are suitable for use in domestic applications such as domestic water supply as part of a pressure supply and for irrigation, etc.

PATENTS - TRADE MARKS - MODELS

- Patent Pending n° PCT/IB2009/051491, PCT/EP2009/059855, BO2009A000650
- Registered Community Design n° 342159-0010

OPTIONALS AVAILABLE ON REQUEST

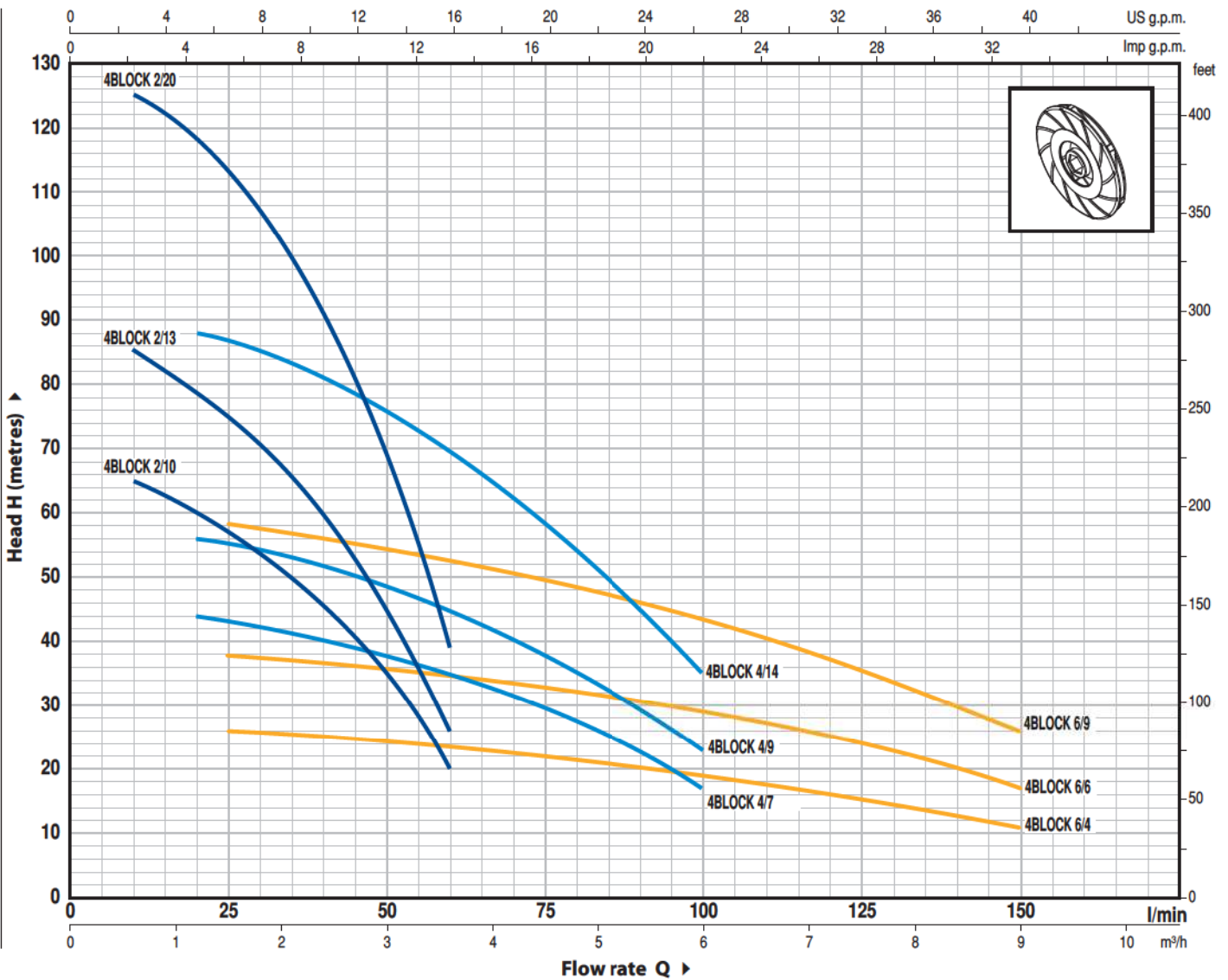
- **30 metre** long power cable
- Other voltages or 60 Hz frequency

GUARANTEE

2 years subject to terms and conditions

CHARACTERISTIC CURVES AND PERFORMANCE DATA

50 Hz n = 2900 1/min



MODEL		POWER		Q	Flow rate								
Single-phase	Three-phase	kW	HP		m³/h	l/min	0	0.6	1.2	1.8	2.4	3.0	3.6
4BLOCKm 2/10	4BLOCK 2/10	0.55	0.75	H metres	0	10	20	30	40	50	60		
4BLOCKm 2/13	4BLOCK 2/13	0.75	1		0	10	20	30	40	50	60		
4BLOCKm 2/20	4BLOCK 2/20	1.1	1.5		0	10	20	30	40	50	60		

MODEL		POWER		Q	Flow rate											
Single-phase	Three-phase	kW	HP		m³/h	l/min	0	1.2	1.8	2.4	3.0	3.6	4.2	4.8	5.4	6.0
4BLOCKm 4/7	4BLOCK 4/7	0.55	0.75	H metres	0	20	30	40	50	60	70	80	90	100		
4BLOCKm 4/9	4BLOCK 4/9	0.75	1		0	20	30	40	50	60	70	80	90	100		
4BLOCKm 4/14	4BLOCK 4/14	1.1	1.5		0	20	30	40	50	60	70	80	90	100		

MODEL		POWER		Q	Flow rate								
Single-phase	Three-phase	kW	HP		m³/h	l/min	0	1.5	3.0	4.5	6.0	7.5	9.0
4BLOCKm 6/4	4BLOCK 6/4	0.55	0.75	H metres	0	25	50	75	100	125	150		
4BLOCKm 6/6	4BLOCK 6/6	0.75	1		0	25	50	75	100	125	150		
4BLOCKm 6/9	4BLOCK 6/9	1.1	1.5		0	25	50	75	100	125	150		

Q = Flow rate H = Total manometric head

Tolerance of characteristic curves in compliance with EN ISO 9906 App. A.

POS.	DESCRIPTION	CONSTRUCTION CHARACTERISTICS
------	-------------	------------------------------

1	DELIVERY BODY AND EXTERNAL SLEEVE	Stainless steel AISI 304, complete with threaded delivery port in compliance with ISO 228/1.
2	IMPELLERS	Lexan 141-R
3	DIFFUSERS	Noryl GFN2V
4	STAGE CASING	Stainless steel AISI 304
5	PUMP SHAFT	Stainless steel AISI 304
6	PUMP BEARINGS	Special-technopolymer housing with stainless steel AISI 316, chrome oxide coated, sand resistant shaft bushing.
7	DRIVE COUPLING	Stainless steel AISI 316L
8	CABLE COVER	Stainless steel AISI 304
9	MOTOR SHAFT	Stainless steel EN 10088-3 1.4104 (AISI 431 for single-phase 1.1 kW)
10	MOTOR SLEEVE	Stainless steel AISI 304

11 TWO MECHANICAL SEALS SEPARATED BY AN OIL CHAMBER

Seal Model	Shaft Diameter	Position	Materials		
			Stationary ring	Rotational ring	Elastomer
MG1-17	Ø 17 mm	Motor side	Silicon carbide	Graphite	NBR
MG1-16 SIC	Ø 16 mm	Pump side	Silicon carbide	Silicon carbide	NBR

12 BEARINGS

Pump	Model
4BLOCK – 0.55÷0.75 kW	6203 ZZ - C3 / 6203 ZZ - C3
4BLOCK – 1.1 kW	3203B ZZ - C3 / 6203 ZZ - C3

13 CAPACITOR

Pump	Capacitance
Single-phase	(230 V or 240 V)
4BLOCK – 0.55 kW	20 µF 500 VL
4BLOCK – 0.75 kW	31.5 µF 500 VL
4BLOCK – 1.1 kW	35 µF 500 VL

14 ELECTRIC MOTOR

Submersible PEDROLLO motor, suitable for continuous duty (with dry, rewindable stator).

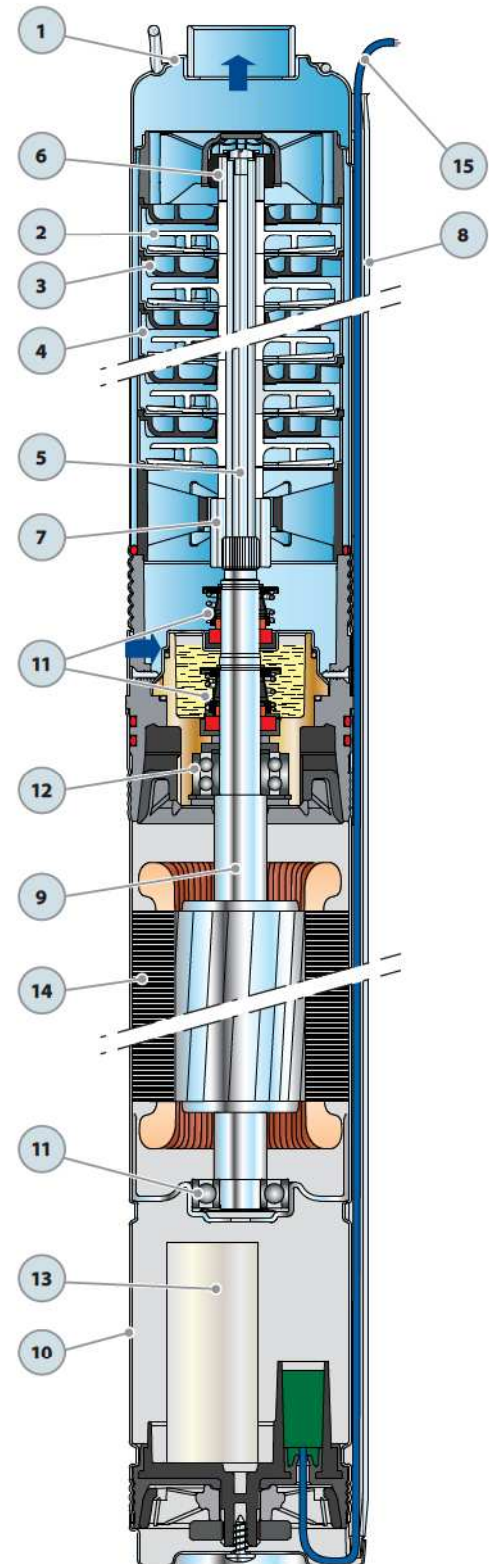
4BLOCKm: single-phase 230 V - 50 Hz
Motor with built-in capacitor.
Thermal overload protector built-in to the winding.

4BLOCK: three-phase 400 V - 50 Hz

- Insulation: F class.
- Protection: IP 68.

15 POWER CABLE

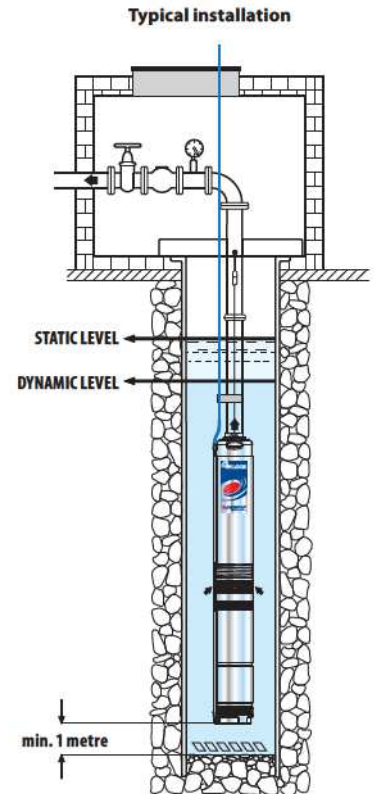
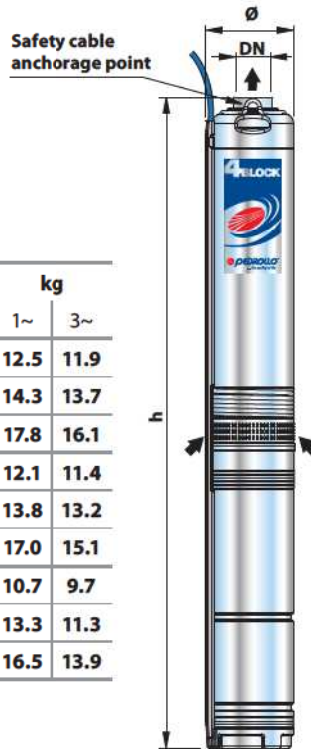
⇒ 20 metre long PBS-P cable for AD8 permanent immersion
NF C 15-100, ACS guaranteed for contact with drinking water



Patented

DIMENSIONS AND WEIGHT

MODEL		PORT DN	DIMENSIONS mm			kg	
Single-phase	Three-phase		N° STAGES	Ø	h	1~	3~
4BLOCKm 2/10	4BLOCK 2/10	1 1/4"	10	100	720-695	12.5	11.9
4BLOCKm 2/13	4BLOCK 2/13		13		801-776	14.3	13.7
4BLOCKm 2/20	4BLOCK 2/20		20		1001-930	17.8	16.1
4BLOCKm 4/7	4BLOCK 4/7		7		689-664	12.1	11.4
4BLOCKm 4/9	4BLOCK 4/9		9		758-733	13.8	13.2
4BLOCKm 4/14	4BLOCK 4/14		14		940-868	17.0	15.1
4BLOCKm 6/4	4BLOCK 6/4		4		655-630	10.7	9.7
4BLOCKm 6/6	4BLOCK 6/6		6		740-715	13.3	11.3
4BLOCKm 6/9	4BLOCK 6/9		9		902-823	16.5	13.9



ABSORPTION

MODEL	VOLTAGE (single-phase)	
	230 V	240 V
Single-phase	230 V	240 V
4BLOCKm - 0.55 kW	5.0 A	5.0 A
4BLOCKm - 0.75 kW	6.0 A	6.0 A
4BLOCKm - 1.1 kW	8.0 A	8.0 A

MODEL	VOLTAGE (three-phase)			
	230 V	400 V	240 V	415 V
Three-phase	230 V	400 V	240 V	415 V
4BLOCK - 0.55 kW	2.8 A	1.6 A	2.8 A	1.6 A
4BLOCK - 0.75 kW	3.5 A	2.0 A	3.5 A	2.0 A
4BLOCK - 1.1 kW	4.7 A	2.7 A	4.7 A	2.7 A

PALLETIZATION

MODEL		GROUPAGE			CONTAINER				
Single-phase	Threw	n° pumps	H (mm)	kg		n° pumps	H (mm)	kg	
				1~	3~			1~	3~
4BLOCKm 2/10	4BLOCK 2/10	72	1484	914	877	108	2156	1362	1307
4BLOCKm 2/13	4BLOCK 2/13	52	1570	759	730	72	2120	1044	1004
4BLOCKm 2/20	4BLOCK 2/20	52	1570	944	852	72	2120	1300	1173
4BLOCKm 4/7	4BLOCK 4/7	72	1484	891	839	108	2156	1328	1250
4BLOCKm 4/9	4BLOCK 4/9	52	1570	737	701	72	2120	1013	964
4BLOCKm 4/14	4BLOCK 4/14	52	1570	902	803	72	2120	1242	1105
4BLOCKm 6/4	4BLOCK 6/4	72	1484	785	715	108	2156	1169	1065
4BLOCKm 6/6	4BLOCK 6/6	72	1484	977	831	108	2156	1458	1237
4BLOCKm 6/9	4BLOCK 6/9	52	1570	873	740	72	2120	1202	1018

