

1" PGV VALVES

Highly versatile, robust valves for simple installation and serviceability

100%



KEY BENEFITS

Easy Valve Servicing

Use any tool on the top to service Hunter valves, thanks to their handy triple-tool screws. No more lost valve screws! Hunter's captive bonnet screws stay put to make routine maintenance a breeze.



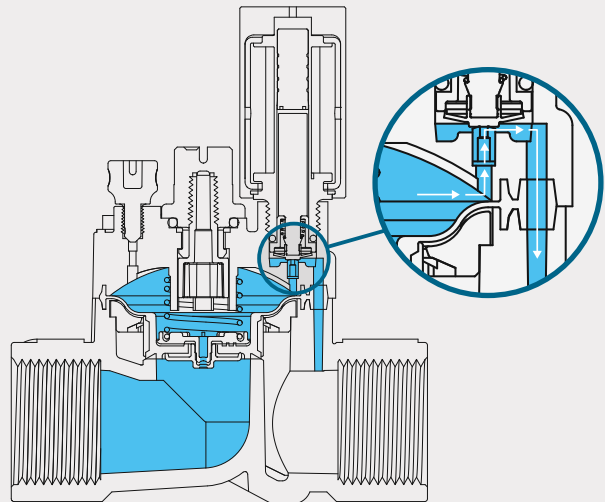
Innovative Solenoid Design

All Hunter valves share common DC-Latching and AC Solenoids. No adapters, no confusion, no fuss! Eliminate damage from pressure surges with Hunter's innovative reverse-flow solenoid design.



Tough Diaphragm

The captive double-beaded diaphragm seal design stops leaks in their tracks. The knife-edged body keeps debris from getting lodged during closure.



<https://hunter.info/ReliableValves>

Hunter®

IN THE FIELD

1 Challenge: As a maintenance contractor, I'd like to carry fewer parts on my truck and spend less time on repairs.

Solution: All Hunter valves share a common solenoid. All 1" PGV valves share a common diaphragm. Along with triple-tool captive bonnet screws and a double-beaded captive diaphragm, these convenient features are designed to simplify PGV installation and routine maintenance.

2 Challenge: I've installed brand-new valves that don't work directly out of the box!

Solution: All Hunter valves are 100% water-tested before leaving the factory to verify every valve operates properly and give you total peace of mind after installation.



100% of Hunter valves are water-tested.

IN THE DESIGN OFFICE

- All parts are backwards compatible for simple installation and long-lasting performance.
- Offered in a range of configurations: globe, angle, jar-top, anti-siphon.
- For maximum flexibility, available connections include female thread, male thread, slip, and barb.



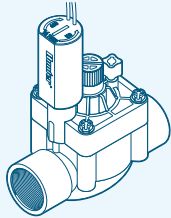
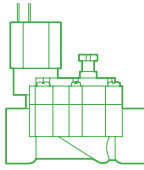
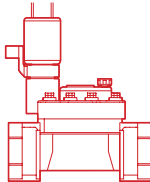
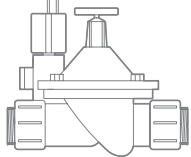
PGV-100G
(globe)

PGV-100A
(angle)

PGV-100JT-G
(jar-top)

PGV-101-ASV
(anti-siphon)

VALVE SYSTEM COMPARISON

				
TOP FEATURES	Hunter PGV Series	Competitor 1	Competitor 2	Competitor 3
Common solenoid minimizes inventory requirements	●			
Reverse-flow solenoid design protects against pressure surges	●			
Double-beaded diaphragm for leak-free performance	●	●		
Four captive bonnet screws ensure easy servicing	●		●	
100% water-tested at the factory to verify operation	●			●